

XPG GAMMIX S70 BLADE
PCIe Gen4x4 M.2 2280 Solid State Drive

SHARP AS A BLADE

XPG GAMMIX S70 BLADE PCIe Gen4x4 M.2 2280 Solid State Drive

Enjoy next-gen performance with the XPG GAMMIX S70 BLADE PCIe Gen4x4 M.2 2280 solid state drive (SSD). Sporting the latest PCIe Gen4x4 interface and a host of other capabilities, this SSD is capable of reaching blazing-fast read/write speeds of up to 7,400/6,800MB per second.

Features

- R/W speed up to 7,400/6,800MB/s for PC/laptop
- Ultra-fast PCIe Gen4 x4 interface
- Compliant with NVMe 1.4
- Work with PS5
- Read speed up to 6,300MB/s for PS5
- High-temperature resistant aluminum heat sink which is able to reduce temperatures by up to 20%
- Capacity up to 8TB
- SLC Caching and DRAM cache buffer
- Advanced LDPC ECC Technology
- E2E Data Protection and RAID Engine
- AES 256-bit encryption support
- Compact M.2 2280 form factor – ideal for gaming and high-end desktops

Ordering Information

Capacity	Model Number	EAN Code
8000GB	AGAMMIXS70B-8000G-CS	4711085945525
4TB	AGAMMIXS70B-4T-CS	4711085937858
2TB	AGAMMIXS70B-2T-CS	4711085933072
1TB	AGAMMIXS70B-1T-CS	4711085933065
512GB	AGAMMIXS70B-512G-CS	4711085936219



Specifications

- Capacities: 512GB / 1TB(1024GB) / 2TB(2048GB) / 4TB(4096GB) / 8TB(8000GB)
- NAND Flash: 3D NAND
- Interface: PCIe Gen4 x4
- Form Factor: M.2 2280
- Controller: Innogrit IG5236
- Sequential read/write (Max.):
Up to 7,400/6,800MB/s (PC/laptop)
Read speed up to 6,300MB/s (PS5)
- 4K random read/write IOPS (Max.): 750K/750K
- Operating Temperature: 0°C~70°C
- Storage Temperature: -40°C~85°C
- Shock Resistance: 1500G/0.5ms
- Weight:
11g / 0.39oz (with heat sink)
7g / 0.24oz (without heat sink)
- Dimensions (L x W x T):
80 x 22 x 4.3mm (with heatsink)
80 x 22 x 3.3mm (without heatsink)
- Terabytes Written (TBW)(Max. capacity): 5920TB
- MTBF: 2,000,000 hours
- Warranty: 5-year limited
- Certifications: CE, FCC, BSMI, KC, Morocco, EAC, RCM, UKCA, RoHS

Performance

Capacity	Sequential Performance (Up to) ¹		4K Random (Up to) ²		PS5 (Up to)	TBW ³
	Read (MB/s)	Write (MB/s)	Read (IOPS)	Write (IOPS)	Seq. Read (MB/s)	
512GB	7,200	2,600	425K	510K	6,100	370TB
1TB	7,400	5,500	740K	740K	6,100	740TB
2TB	7,400	6,800	750K	750K	6,100	1480TB
4TB	7,400	6,600	750K	750K	6,300	2960TB
8000GB	7,300	6,300	750K	650K	6,100	5920TB

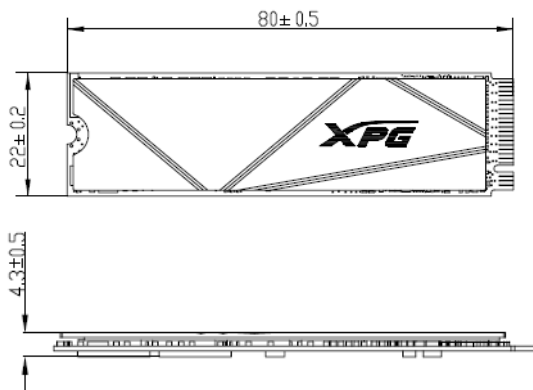
¹M/B: MSI X570 GAMING PLUS, CPU: AMD Ryzen 7 3700X 8-Core Processor @ 3.60GHZ

²Performance may vary based on SSD capacity, hardware test platform, test software, operating system and other system variables

³The value is the minimum amount of terabyte written that could be reached.

Schematics

<With heatsink>



<Without heatsink>

